

NVR301-LS3-P8



Key Features

- Support Ultra 265/H.265/H.264 video formats
- 8-channel input
- Plug & Play with 8 independent PoE network interfaces
- Support mainstream cameras of ONVIF conformance(Profile S, Profile G, Profile T) and RTSP protocols
- Support 1-ch HDMI, 1-ch VGA, HDMI at up to 4K(3840x2160) resolution
- HDMI and VGA simultaneous output
- Up to 4K resolution recording
- 1 SATA HDD up to 6TB
- Support cloud upgrade

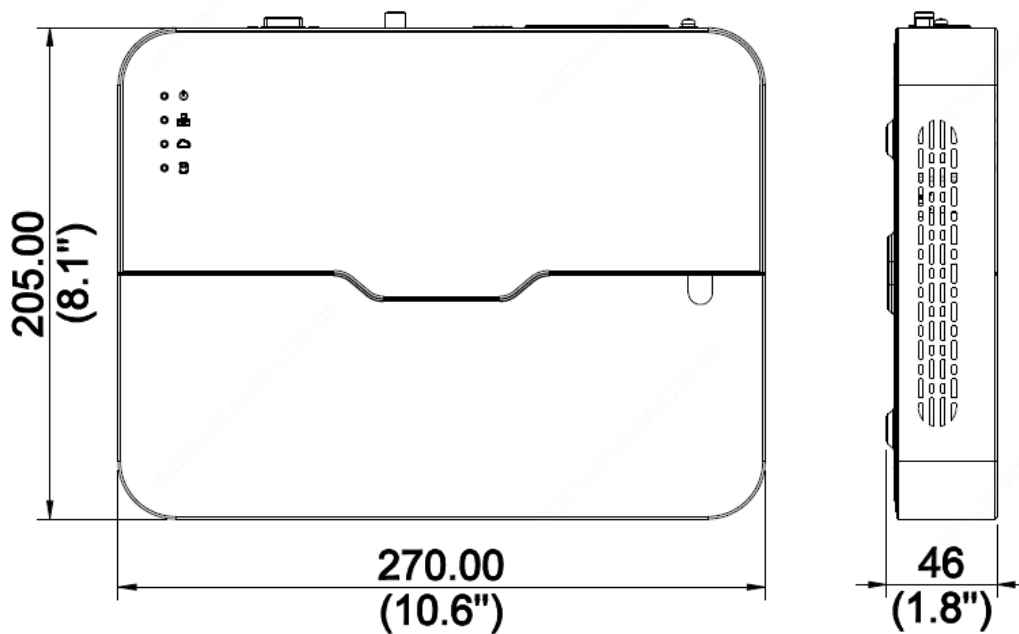
Specifications

Model	NVR301-08LS3-P8
Video/Audio Input	
IP Video Input	8-ch
Network	
Incoming Bandwidth	64Mbps
Outgoing Bandwidth	48Mbps
Remote Users	128
Protocols	TCP/IP, P2P, UPnP, NTP, DHCP, PPPoE, HTTP, HTTPS, DNS, DDNS, SMTP
Video/Audio Output	
HDMI/VGA Output	HDMI: 4K(3840x2160)/30Hz, 1920x1080/60Hz, 1920x1080/50Hz, 1600x1200/60Hz, 1280x1024/60Hz, 1280x720/60Hz,

	1024x768/60Hz VGA: 1920x1080/60Hz, 1920x1080/50Hz, 1600x1200/60Hz, 1280x1024/60Hz, 1280x720/60Hz, 1024x768/60Hz
Recording Resolution	4K/5MP/4MP/3MP/1080p/960p/720p/D1/2CIF/CIF
Audio Output	1-ch, RCA
Audio Compression	G.711A, G.711U
Synchronous Playback	8-ch
Liveview display	1/4/6/8/9
Corridor Mode Screen	3/4/5/7/9
Snapshot	
FTP/Schedule/Event Snapshot	1-ch snapshot, up to D1 resolution
Decoding	
Decoding format	Ultra 265/H.265/H.264
Liveview/Playback	4K/5MP/4MP/3MP/1080p/960p/720p/D1/2CIF/CIF
Capability	1 x 4K@30, 4 x 5MP@25, 4 x 4MP@25, 4 x 3MP@25, 4 x 1080p@30, 8 x 720p@30
Hard Disk	
SATA	1 SATA interface
Capacity	up to 6TB for each disk
Smart	
VCA Detection by Camera	Intrusion Detection, Cross Line Detection, Enter Area, Leave Area, Audio Detection, Ultra Motion Detection(UMD)
VCA Search	Face Search, Behavior Search
Smart Intrusion Prevention (SIP), UMD by Camera	Total 4-ch
General Alarm	
General Alarm	Motion, Tampering, Human Body Detection, Video Loss, Alarm Input
Alert Alarm	IP Conflict, Network Disconnected, Disk Offline , Disk Abnormal, Illegal Access, Hard Disk Space Low, Hard Disk Full, Recording/Snapshot Abnormal
External Interface	
Network Interface	1 RJ45 10M/100M self-adaptive Ethernet Interface
USB Interface	Rear panel: 2 x USB2.0
RS232	NA
RS485	NA
Alarm In	NA
Alarm Out	NA
PoE	
Interface	8 RJ45 10M/100M self-adaptive Ethernet Interface
Max Power	Max 30W for single port Max 75W in total
Supported Standard	IEEE 802.3at, IEEE 802.3af

General	
Power Supply	52V DC Power Consumption: ≤9 W (without HDD)
Working Environment	-10°C ~ + 55°C (+14°F ~ +131°F), Humidity ≤ 90% RH (non-condensing)
Dimensions (W×D×H)	270mm × 205mm × 46mm (10.6"×8.1"×1.8")
Weight (without HDD)	≤0.8 kg (1.76 lb)
Certification	
Certification	CE, FCC, UL, RoHS, WEEE
CE	EN 55032: 2015, EN 61000-3-3: 2013, EN IEC 61000-3-2: 2019, EN 55035: 2017
FCC	Part15 Subpart B, ANSI C63.4

Dimensions



Rear Panel

