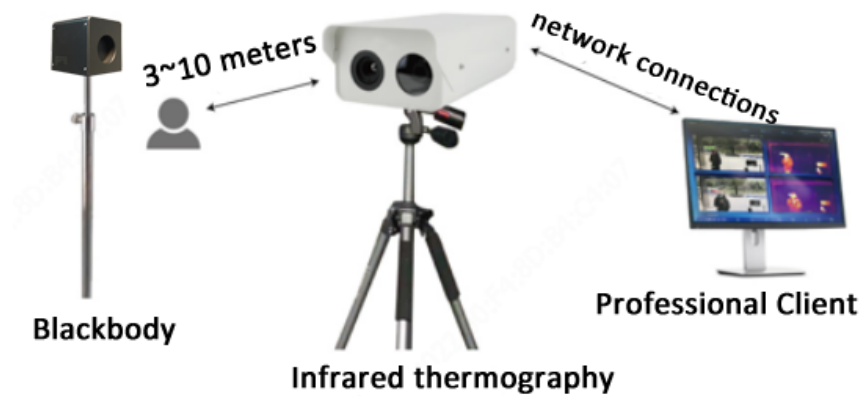


Automatic thermal temperature measurement and screening system

NTC-911



Key Features

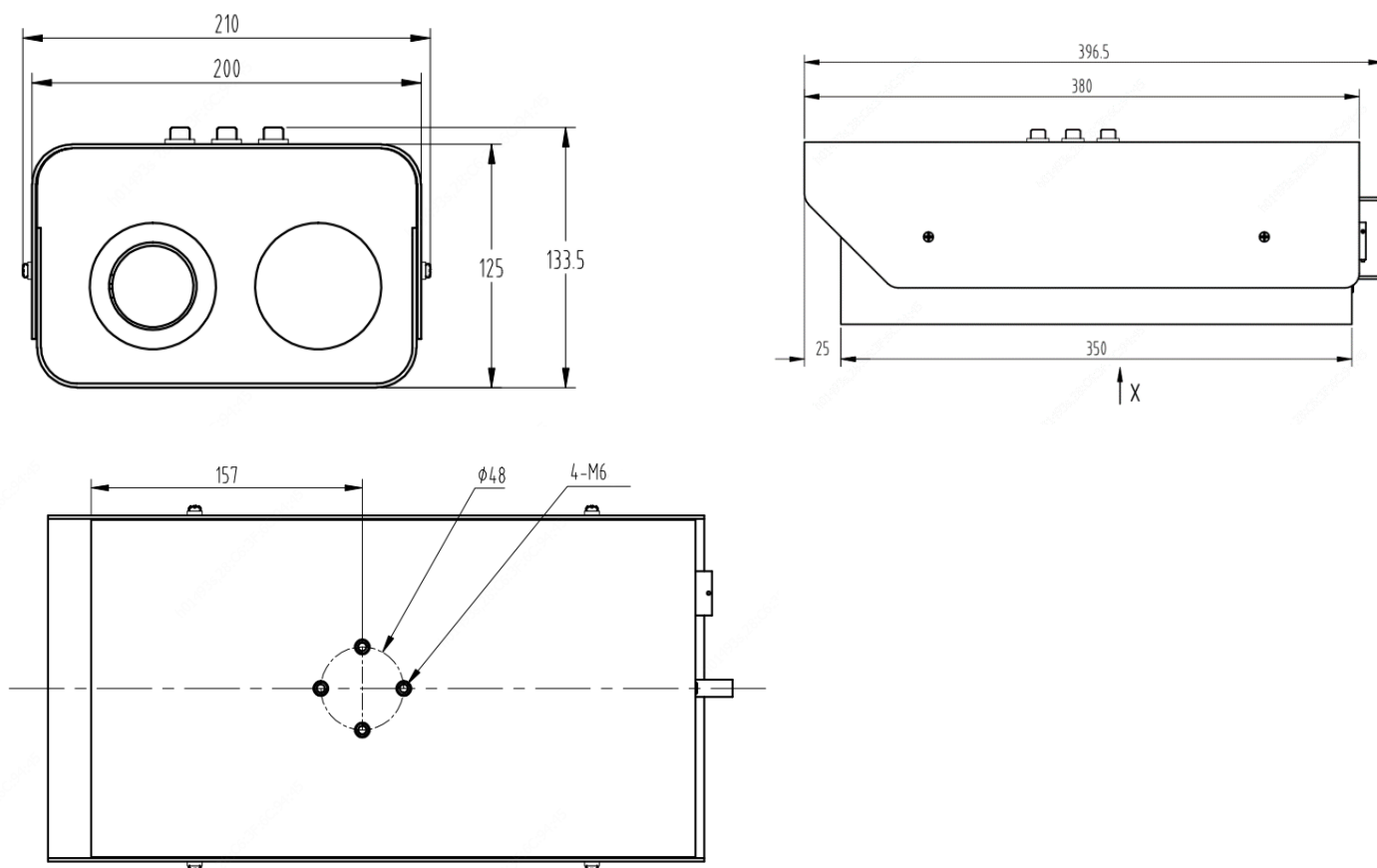
- Longer distance, large scenes can also be accurately and quickly screened
- The system contains blackbody, and the temperature measurement accuracy is $\leq 0.3^{\circ}\text{C}$
- Simultaneous temperature display of visible and infrared thermal imaging
- Real time thermal imaging, multi-target automatic temperature measurement
- Support automatic capture when alarm is triggered to provide evidence after the event
- Support automatic calibration of body and surface temperature to make temperature measurement more accurate
- Support historical alarm record query
- The whole system is delivered together with tripod, software, etc

Specifications

MODEL	NTC-911
Thermal	
Sensor type	Uncooled Focal Plane Arrays
Pixel size	25 μm
Maximum image size	384*288
Video frame rate	Max 25fps
NETD	$\leq 60\text{mk}$
Response waveband	8~14 μm
Focal length	18mm
Iris	F1.0
Angle of View (H*V)	25°*19°
Detection distance	3~10 meters
Visible	
Sensor	1/1.8", progressive scan, CMOS
Focus	Manual
Iris	Max F1.6

Minimum illumination	Colour : 0.001Lux(F1.6, AGC ON) B/W : 0.0002Lux(F1.6, AGC ON)
S/N	> 52dB
Defog	Optical & digital
Day/Night	IR-cut filter with auto switch (ICR)
Video Frame rate	1920*1080, Max 30fps
WDR	120dB
OSD	Up to 8 OSDs
SD card	Micro SD, up to 256GB
ANR	Support
Network protocols	IPv4, IGMP, ICMP, ARP, TCP, UDP, DHCP, PPPoE, RTP, RTSP, RTCP, DNS, DDNS, NTP, FTP, UPnP, HTTP, HTTPS, SMTP, 802.1x, SNMP, QoS
Focal length	3.8~16mm
Blackbody	
Accuracy	± 0.2°C (Single point)
Stability	± (0.1~0.2)°C/30min
Dimension	135mm x 135mm x150mm
Power	220V AC 50Hz
Power consumption	60W
Radiation area	φ70mm
General	
Temperature measurement accuracy	
Environment temperature range	16°C~32°C
Target temperature range	32°C~42°C
Temperature measurement accuracy	≤±0.3°C
Interface	
Infrared machine head	Aviation plug
Network interfaces	RJ45
Power	
Power	DC12V
Power consumption	≤15W
Weight	
Infrared machine head	<5Kg
Blackbody	<3.5kg
Function	
Alarm	Multi abnormal temperature point alarm and automatic capture
Capture	Capture when alarm is triggered
Temperature display	Simultaneous display of temperature in infrared and visible light images
Correction of body and surface temperature	Support automatic temperature calibration
Environmental adaptability	
Working humidity	≤90%RH(non-condensing)
Notes	
PC requirement	CPU I5 or more / memory 8G. Operating system win10, 64-bit.If you have a laptop, you must have a network port.

Dimensions (Unit: mm)



Standard components

- 1pcs Thermography camera
- 1pcs Blackbody
- 2pcs Tripods
- Power adapter